



LONG LIFE

12W LED Bulb

LongLife LED Bulb is a designed evolution. Manufactured with high quality aluminum heat sink & leading industrial LED modules. This special item uses our patent tech, called COHS, which makes our bulb remove other thermal resistances between chips and heat sink, so the lifetime of the bulb would be longer than others. We devote ourselves to reduce the cost, while improving our lumens and quality. Our products are eco-friendly, without toxic materials, energy saving, and 100% made in Taiwan. Easy installation, instantly switch on, without UV and RF.

For all the reasons above, our products are "Long Life."

LED 12W Bulb Specifications

Product Number	LBE27-12T1A-C0	LBE27-12T1A-W0
Power Consumption	12W ± 10%	12W ± 10%
Output Voltage	33V@360mA	33V@360mA
AC Input Voltage	110V/220V	110V/220V
Field Angle	210°	210°
Color Temperature	5500 ± 300K	3000 ± 200K
Chip Lumens	1200 ± 10%Lm	900 ± 10%Lm
CRI	70	80
Life Span	>30,000hr	>30,000hr
Equilibrium Temp.	60°C	60°C

Features

- ✧ Wide Angle
- ✧ Low Light Decay
- ✧ Low Heat
- ✧ 1 Year Warranty
- ✧ Made in Taiwan

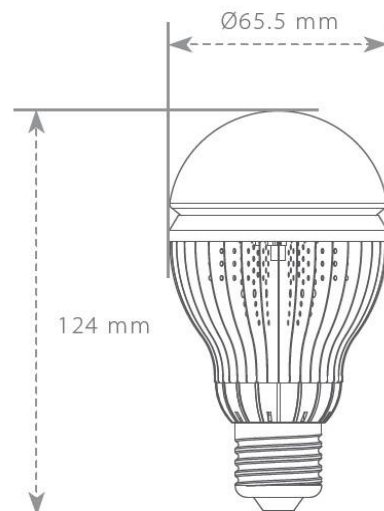
Applications

- ✓ Office
- ✓ House
- ✓ Store
- ✓ Interior Space

➤ Product Picture

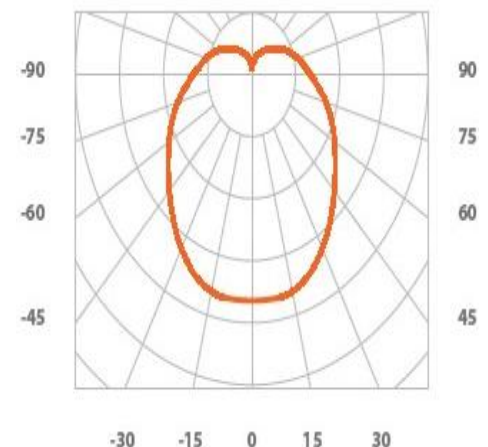


➤ Product Dimension



Net Weight: 135g ±10%

➤ Lighting Diagram



Sankou Technology Co.,LTD

TEL:+ 886-3-3620863 E-MAIL: sales@sankou.com.tw

For more information, please visit our website: www.sankou.com.tw

2F, No.33, Hsing Pang Rd., Kuei-Shan Industrial District, Taoyuan Country 330, Taiwan.

